

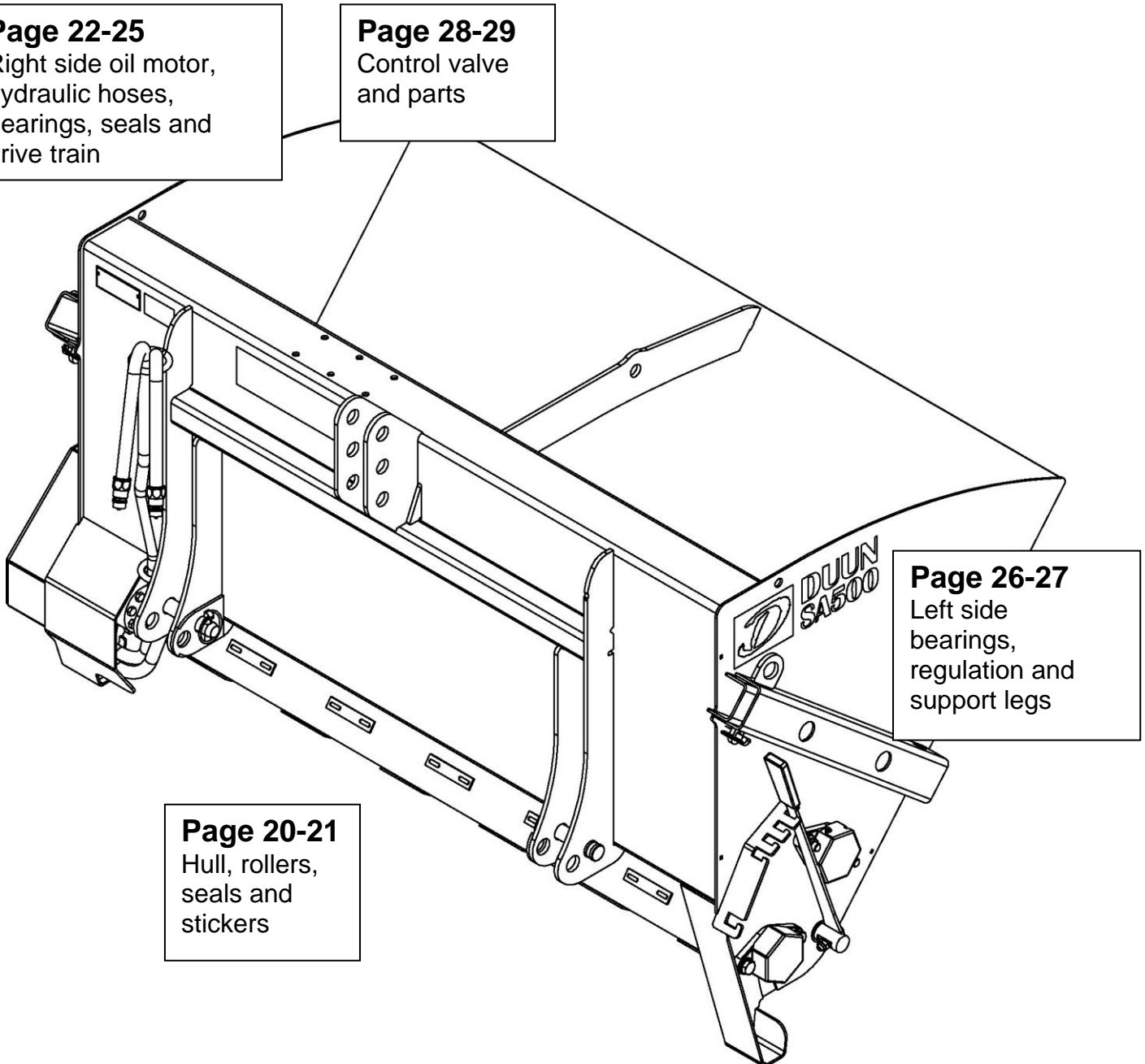


Page 22-25

Right side oil motor,
hydraulic hoses,
bearings, seals and
drive train

Page 28-29

Control valve
and parts

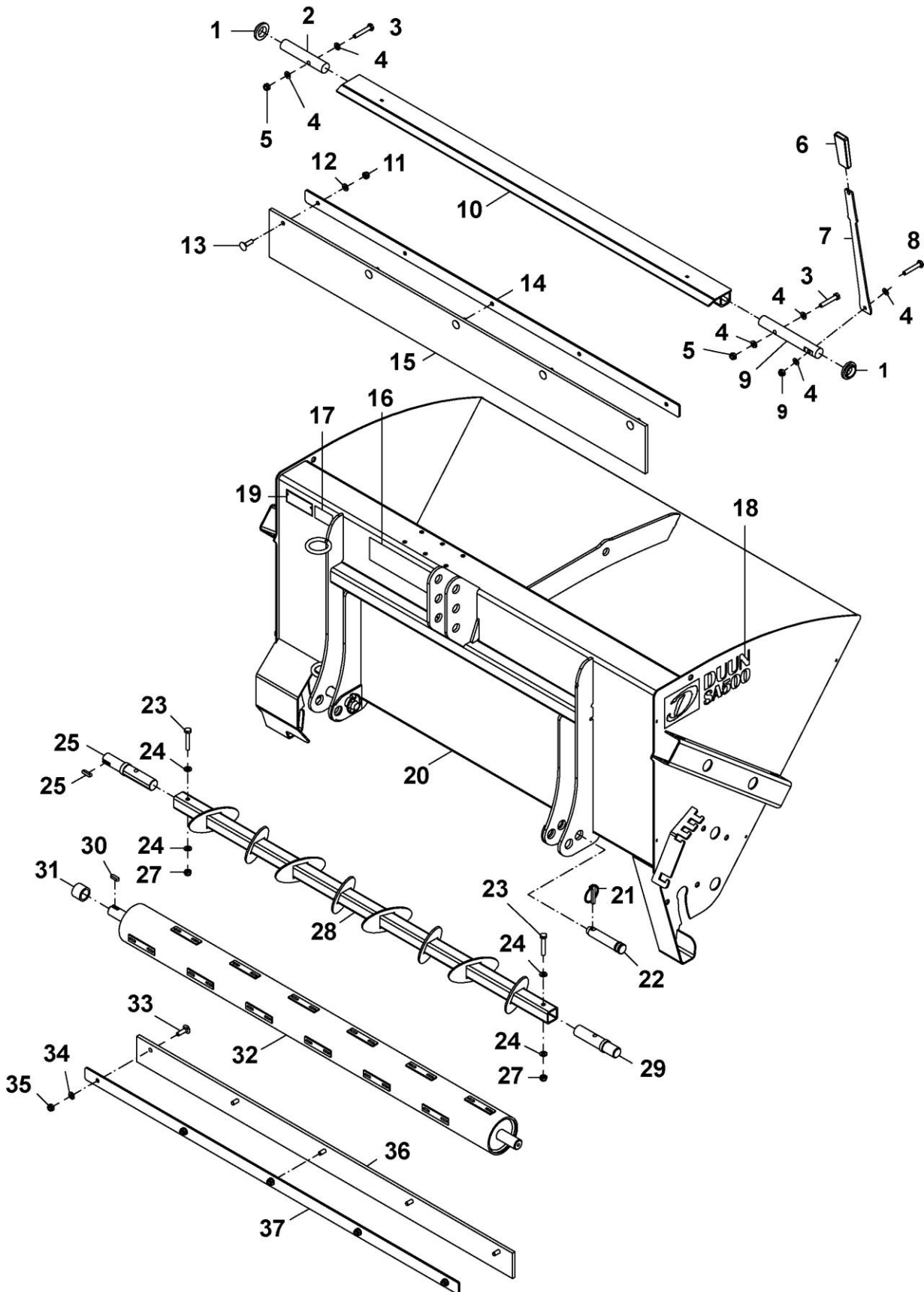


Page 26-27

Left side
bearings,
regulation and
support legs

Page 20-21

Hull, rollers,
seals and
stickers





Group: 126-1	Hull, rollers, seals and stickers	Edition: 9.2008
--------------	-----------------------------------	-----------------

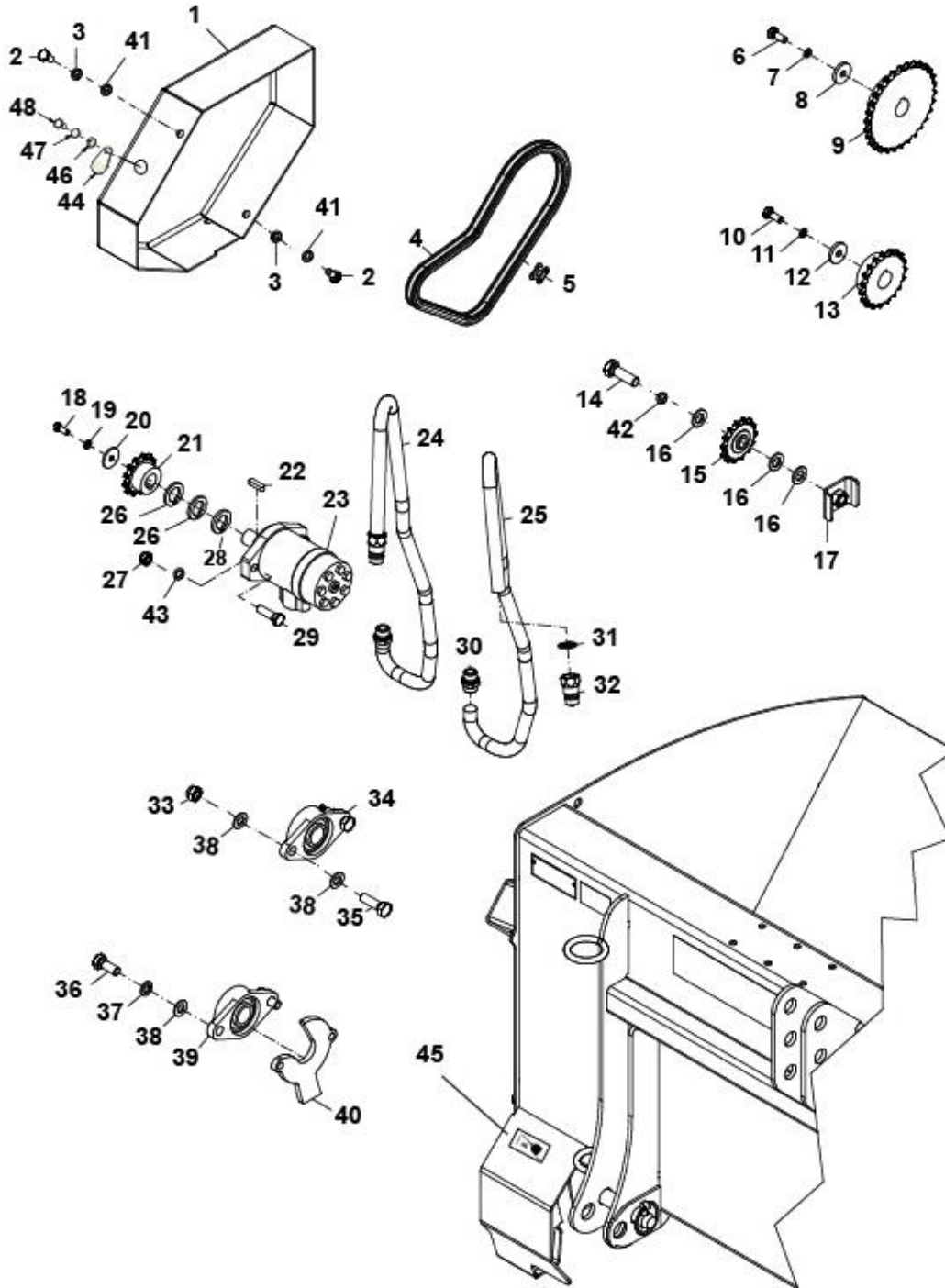
Pos.no.	Quantity	Designation	Article no.	Comment
1	2	Washer Ø50-38 POM	14120168	
2	1	Shaft	1261183	
3	2	Hexagon screw M10x60 galv.	2422310	
4	6	Washer M10 galv.	2531060	
5	3	Hexagon locking nut M10 galv.	2483610	
6	1	Plastic handle	2245062	
7	1	Operating lever	1261531	
8	1	Hexagon screw M10x45 galv.	2422305	
9	1	Shaft	1261578	
10	1	Quantity regulation plate	1261770	
11	5	Hexagon locking nut M10 galv.	2483610	
12	5	Washer M10 galv.	2531060	
13	5	Locking head screw M10x36 galv.8.8	2344332	
14	1	Clamp plate	1261772	
15	1	Rubber plate quantity regulation	2222159	
16	1	Safety directions	2935122	
17	1	Sticker CE 40x68	2935063	
18	2	Sticker SA500 102x330	2935139	
19	1	Serial no. plate	2935060	
20	1	Hull SA500	1261730	
21	2	Linchpin Ø10x40mm	2556142	
22	2	Drawbar bolt Cat. 2	2551730	
23	2	Hexagon screw M10x60 galv.	2422310	
24	4	Washer M10 galv.	2531060	
25	1	Shaft	1261182	
26	1	Cotter 8x7 L-32 DIN6885A	2115129	
27	2	Hexagon locking nut M10 galv.	2483610	
28	1	Stirrer	1261740	
29	1	Shaft	1261181	
30	1	Cotter 8x7 L-28 DIN6885A	2115128	
31	1	Sleeve	1261151	
32	1	Output roller	1261750	
33	5	Locking head screw M10x35 galv.8.8.	2344332	
34	5	Washer M10 galv.	2531060	
35	5	Hexagon locking nut M10 galv.	2483610	
36	1	Rubber seal	2222169	
37	1	Clamp plate	1261772	



Group: 126-1

Right side oil motor, hydraulic hoses, bearings, seals and drive train

Edition: 9.2008





Group: 126-1-	Right side oil motor, hydraulic hoses, bearings, seals and drive train	Edition: 9.2008
---------------	--	-----------------

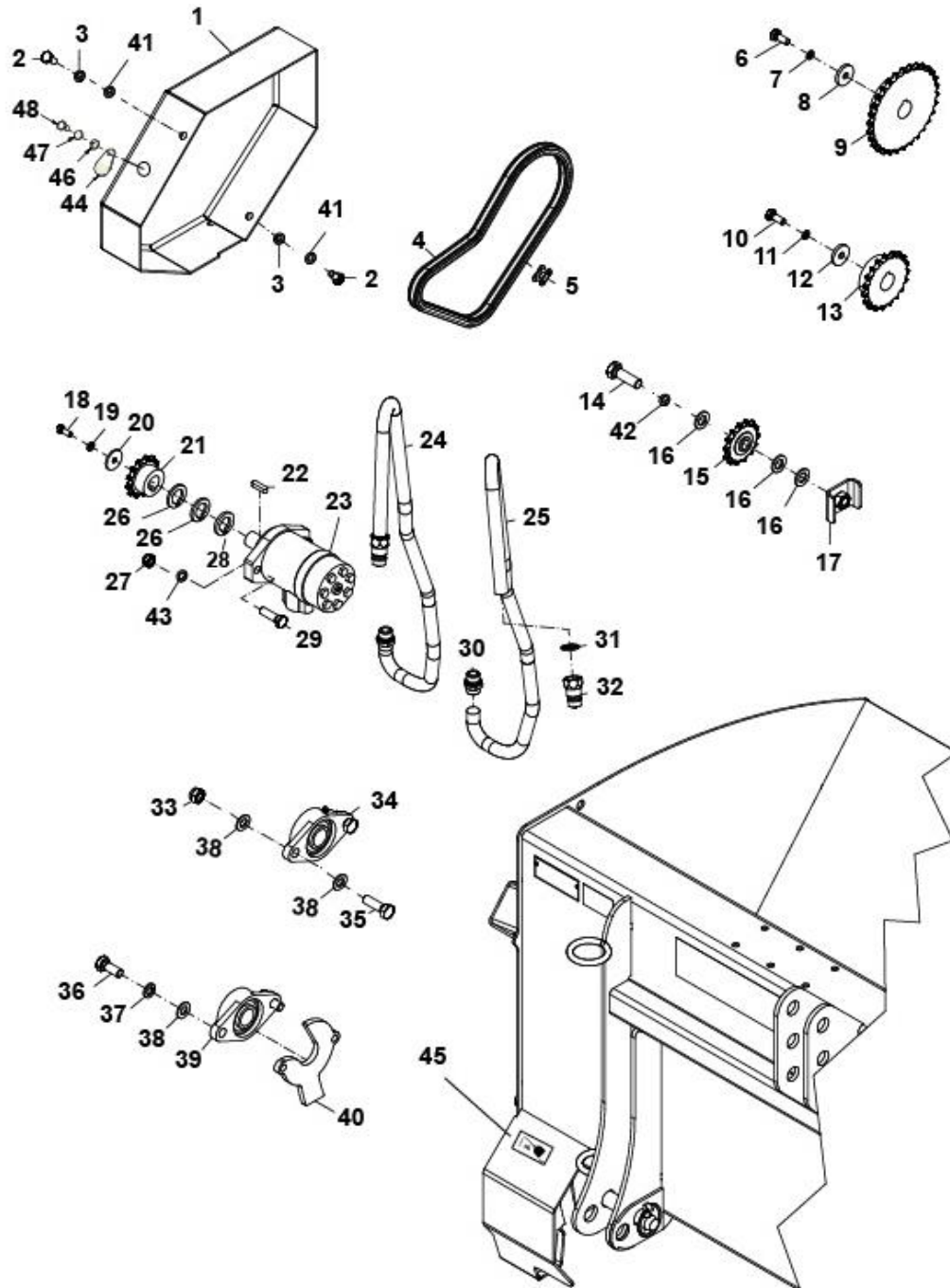
Pos.no	Quantity	Designation	Article no.	Comment
1	1	Chain case	1261780	
2	2	Hexagon screw M10x20 galv.	2422295	
3	2	Spring washer M10 galv.	2534060	
4	1	Chain 5/8" 57 links (+ chain link)	2963104	
5	1	Chain lock 5/8"	2963149	
6	1	Hexagon screw M10x25 galv.	2422297	
7	1	Spring washer M10 galv.	2534060	
8	1	Washer	1411299	
9	1	Chain wheel 30t. 5/8	2964175	
10	1	Hexagon screw M10x25 galv.	2422297	
11	1	Spring washer M10 galv.	2534060	
12	1	Washer	1411299	
13	1	Chain wheel 19t 5/8	2964165	
14	1	Hexagon screw M16x50 galv.	2422493	
15	1	Chain tensioner wheel 5/8" 14t	2954116	
16	1	Washer M16 galv.	2531078	
17	1	Nut plate	1261179	
18	1	Hexagon screw M8x20 galv.	2422244	
19	1	Spring washer M8 galv.	2534047	
20	1	Body washer Ø9/35x3mm DIN522	2533058	
21	1	Chain wheel 5/8"13t 5/8"	2964150	
22	1	Cotter 8x7 LØ-32mm	2115129	
23	1	Hydraulic motor MP160 A13 12	2955520	
24	1	Hydraulic hose 1/2" L-2850	2958144	
25	1	Hydraulic hose 1/2" L-2850	2958144	
26	2	Sleeve	1261585	
27	2	Hexagon locking nut M12 galv.	2483611	
28	1	Sleeve	1261185	
29	2	Hexagon screw M12x40 galv.	2422352	



Group: 126-1

Right side oil motor, hydraulic hoses, bearings, seals and drive train

Edition: 9.2008





Spare parts catalogue

DUUN

Sand spreader SA500

Group: 126-1-	Right side oil motor, hydraulic hoses, bearings, seals and drive train	Edition: 9.2008
---------------	--	-----------------

Pos.no	Quantity	Designation	Article no.	Comment
30	2	Hexagon nipple 1/2" L-15mm	2957768	
31	2	Hydraulic gasket 1/2".	2957861	
32	2	Quick coupling 1/2" ISO male	2957860	
33	2	Hexagon locking nut M14 galv.	2483612	
34	1	Flange bearing UCFL 206	2954171	
35	2	Hexagon screw M14x45 galv.	2422400	
36	2	Hexagon screw M14x35 galv.	2422396	
37	1	Spring washer M14 galv.	2534072	
38	8	Washer M14 galv.	2531072	
39	1	Flange bearing UCFL 206	2954171	
40	1	Sealing plate	1261184	
41	2	Washer M10 galv.	2531060	
42	1	Spring washer M16 galv.	2531078	
43	2	Washer M12 galv.	2531069	
44	1	Lid	1261196	
45	1	CE mark 75x40mm lubrication "OIL"	2935039	
46	1	Hexagon screw M8x16 EIZn 8.8 DIN 933	2422240	
47	1	Spring washer M8 EIZn DIN 127	2534047	
48	1	Washer M8 EIZn DIN 125	2531047	



Spare parts catalogue

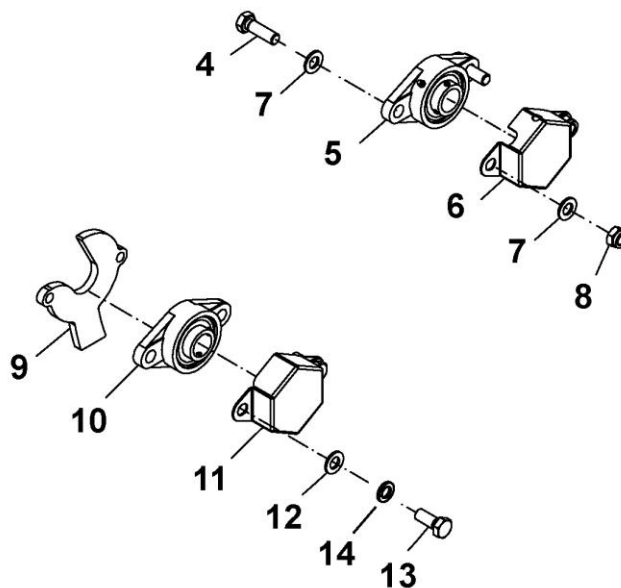
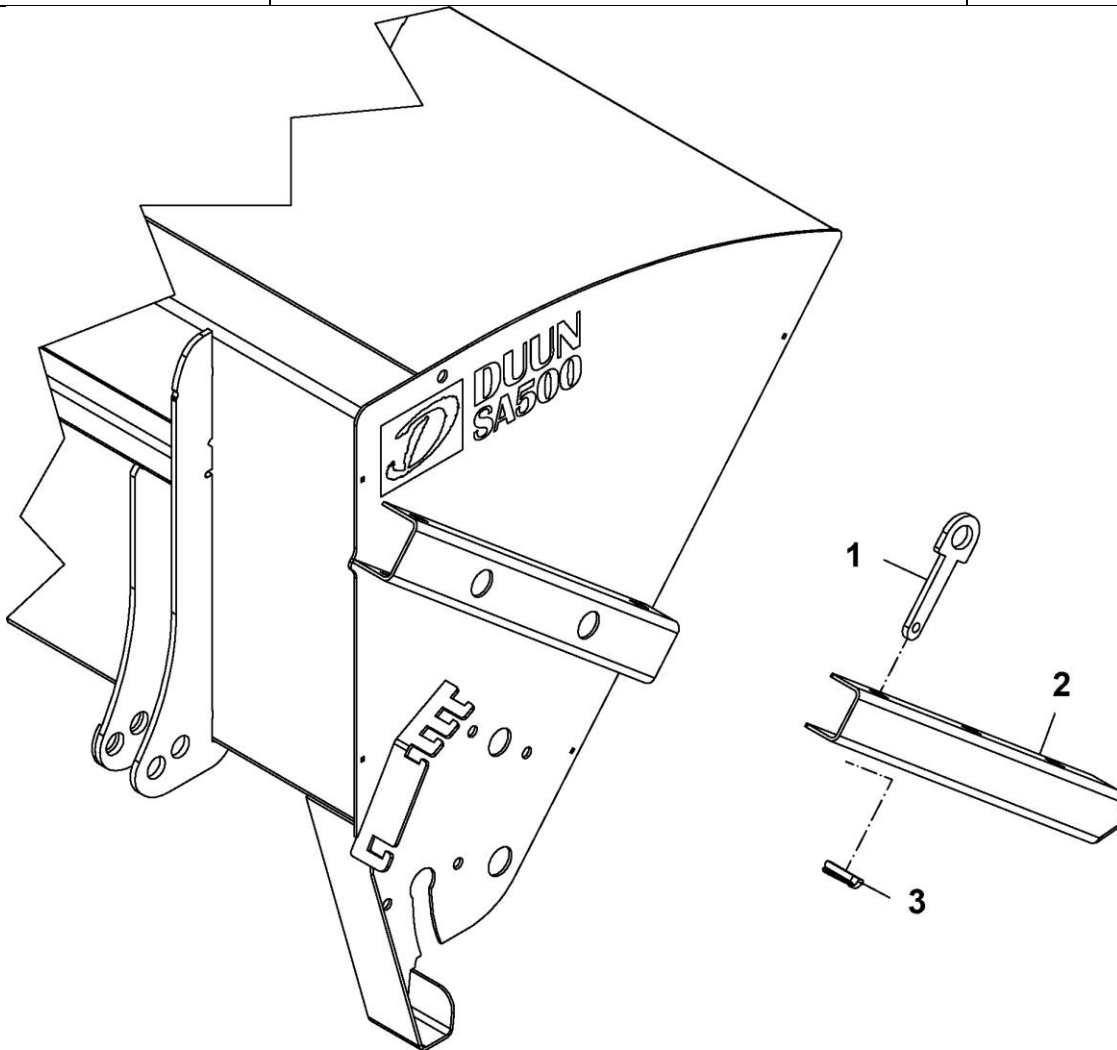
DUUN

Sand spreader SA500

Group: 126-1-

Left side bearings, regulation and support legs

Edition: 9.2008





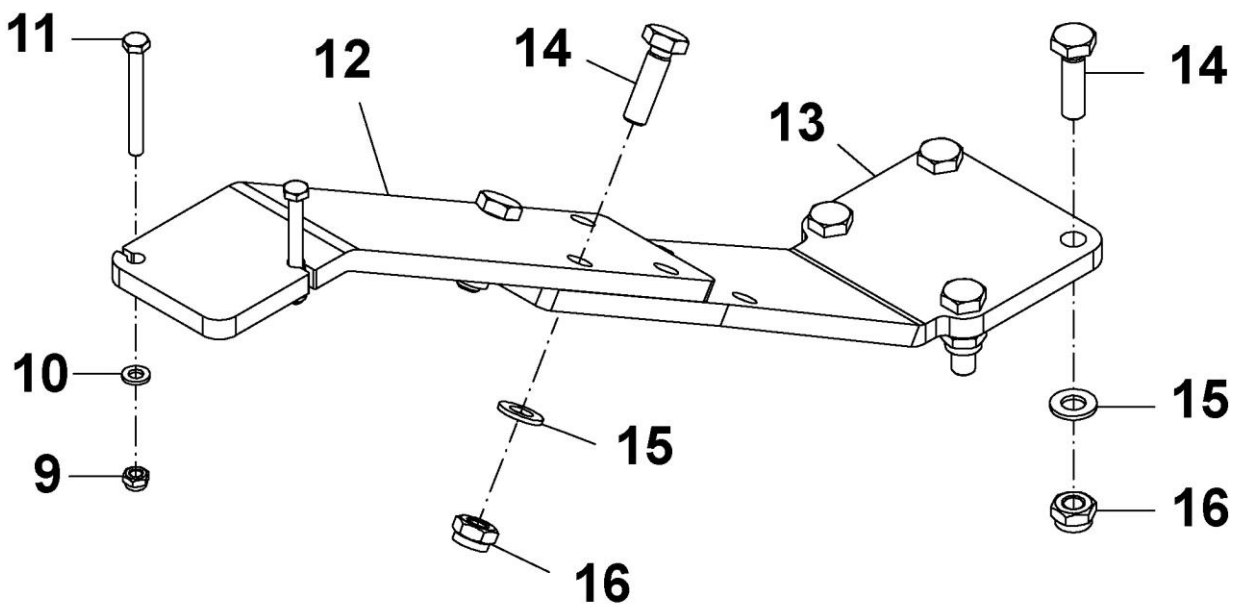
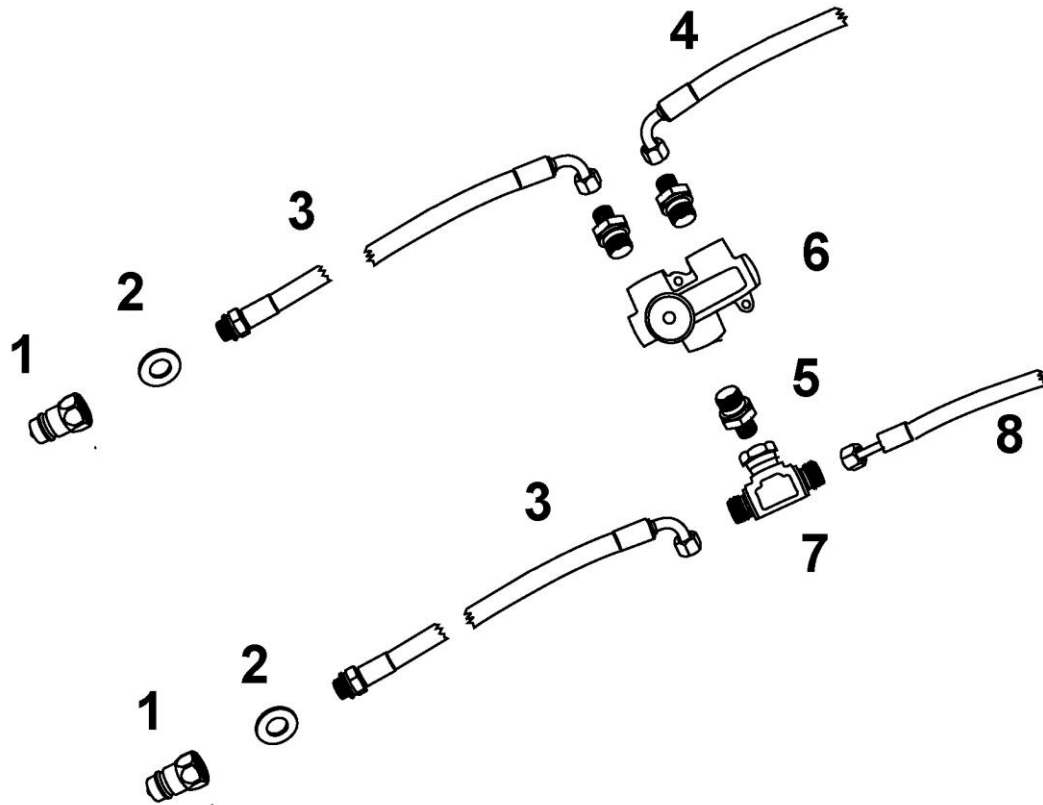
Spare parts catalogue

DUUN

Sand spreader SA500

Group: 126-1-	Left side bearings, regulation and support legs	Edition: 9.2008
---------------	---	-----------------

Pos.no	Quantity	Desigantion	Article no.	Comment
1	2	Locking pin	1261586	
2	2	Support leg	1261575	
3	2	Linchpin Ø10x40mm	2556142	
4	2	Hexagon screw M14x45 galv.	2422400	
5	1	Flange bearing UCFL 206	2954171	
6	1	Flange bearing cover	1261177	
7	4	Washer M14 galv.	2531072	
8	2	Hexagon locking nut M14 galv.	2483612	
9	1	Sealing plate	1261184	
10	1	Flange bearing UCFL 206	2954171	
11	1	Flange bearing cover	1261177	
12	2	Washer M14 galv.	2531072	
13	2	Hexagon screw M14x35 galv.	2422396	
14	2	Spring washer M14 galv.	2534072	





Group: 126-1-	Control valve and parts	Edition: 9.2008
---------------	-------------------------	-----------------

Pos.no.	Quantity	Desigantion	Article no.	Comment
1	2	Quick coupling ½" ISO male	2957860	
2	2	Hydraulic gasket ½" BSP	2957861	
3	2	½" hose R2T L1780	2958145	
4	1	½" hose R2T L1840	2958146	
5	3	Hexagon nipple BSP ½" ext. GEK15	2957768	
6	1	Quantity regulation valve LHS911 ½"	2955342	
7	1	T-hexagon nipple L15-L15-L155	2957775	
8	1	½ hose R2T L-1910	2958147	
9	2	Hexagon locking nut M6 galv.	2483608	
10	2	Washer M6 galv.	2531039	
11	2	Hexagon screw M6x55 galv.	2422219	
12	1	Upper valve bracket	1261154	
13	1	Lower valve bracket	1261153	
14	6	Hexagon screw M10x35	2422301	
15	12	Washer M10 galv.	2531060	
16	6	Hexagon locking nut M10 galv.	2483610	
		Compl. regulation set	1261115	